

FAST™

MODULAR ACCESSORY SUITE



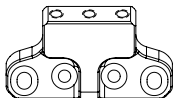
PRODUCT OVERVIEW



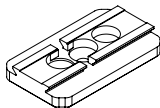
PRODUCT PURPOSE

FAST™ Modular Accessories afford several options to attach secondary/back-up optics to compatible FAST™ mounts hosting primary-use optics. The FAST™ Offset Optic Base attaches directly to the FAST™ mount, providing a platform for attaching FAST™ Optic Adapter Plates. FAST™ Optic Adapter Plates can also be mounted to the MRDS Top Ring for the FAST™ LPVO, allowing micro red dots to sit at the 12 o'clock position.

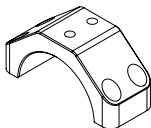
FAST™ Offset Optic Base



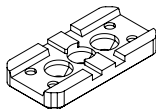
FAST™ Optic Adapter Plate | ACRO® Footprint



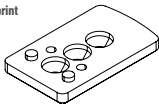
MRDS Top Ring for FAST™ LPVO



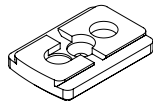
FAST™ Optic Adapter Plate | Aimpoint® Micro® Footprint



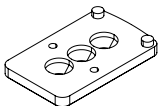
FAST™ Optic Adapter Plate | DeltaPoint® Pro Footprint



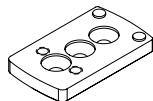
FAST™ Optic Adapter Plate | 508T Footprint



FAST™ Optic Adapter Plate | RMR® Footprint



FAST™ Optic Adapter Plate | RMRc / Holosun™ K Footprint





WARNING: ENSURE FIREARM IS UNLOADED

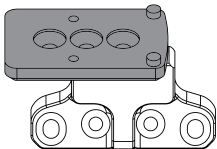
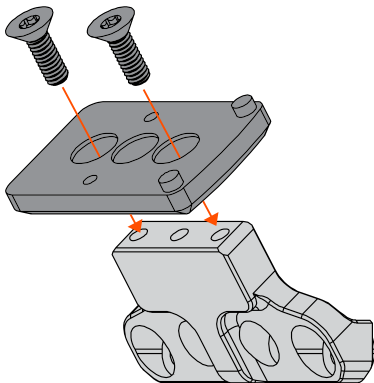


CAUTION:

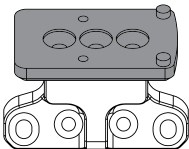
OVER-TORQUING FASTENERS CAN DAMAGE YOUR MOUNT AND WILL NOT BE COVERED BY WARRANTY. USING THREAD LOCKING COMPOUNDS, SUCH AS LOCTITE® OR OTHERS, IS NOT RECOMMENDED AND WILL VOID YOUR WARRANTY.

ATTACHING YOUR FAST™ OPTIC ADAPTER PLATE TO YOUR FAST™ OFFSET OPTIC BASE

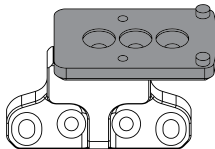
1 Hand-fit the FAST™ Offset Optic Base and FAST™ Optic Adapter Plate in your desired position (Rearward Cantilever, Forward Cantilever or Centered). If attaching to a FAST™ LPVO, ensure your Scope is already installed to determine placement and forward/rearward bias. Install the FAST™ Optic Adapter Plate to the FAST™ Offset Optic Base with included hardware. Finger tighten and then give each screw a 1/8 - 1/4 turn. **Torque to 18 in-lbs (2 Nm).**



Rearward Cantilever



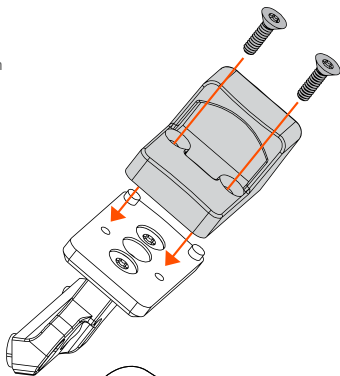
Centered



Forward Cantilever

2

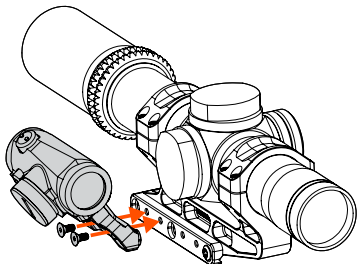
Install your Optic to the FAST™ Optic Adapter Plate with included hardware. Finger tighten and then give each screw a 1/8 - 1/4 turn. **Do not exceed manufacturer's recommended torque spec.**



ATTACHING YOUR FAST™ OPTIC BASE TO YOUR FAST™ MOUNT

1

Install completed FAST™ Modular Suite assembly onto your relevant FAST™ mount in desired location with 2x small 6-32 Screws. **Torque to 15 in-lbs (1.7 Nm).**



NOTE

If using the FAST™ Modular Suite assembly on a FAST™ LPVO or FAST™ COG Series, it can be mounted in the front or rear positions (figure A / figure B).

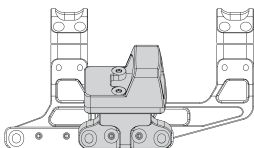


FIGURE A

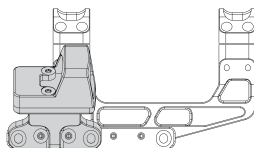
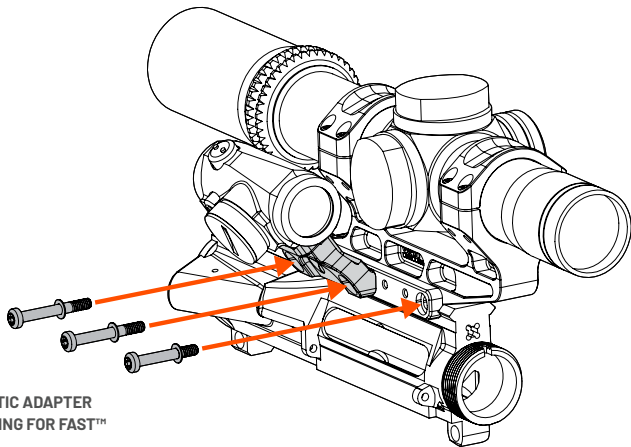


FIGURE B

2

Push mount forward against recoil lug. Place two included longer Clamp Screws through FAST™ Offset Optic Base assembly. Tighten Clamp Screws in order – Front, Rear, Middle – using a T25 bit driver. Lightly snug all screws before applying final torque to any.

Torque to 35 in-lbs (4 Nm).



**ATTACHING YOUR FAST™ OPTIC ADAPTER
PLATE TO YOUR MRDS TOP RING FOR FAST™
LPVO**

1

Hand-fit the FAST™ Optic Adapter Plate on the MRDS Top Ring for the FAST™ LPVO and install using the included hardware. Finger tighten and then give each screw a 1/8 - 1/4 turn. **Torque to 18 in-lbs (2 Nm).**

ATTACHING YOUR MRDS TOP RING TO YOUR FAST™ LPVO

1

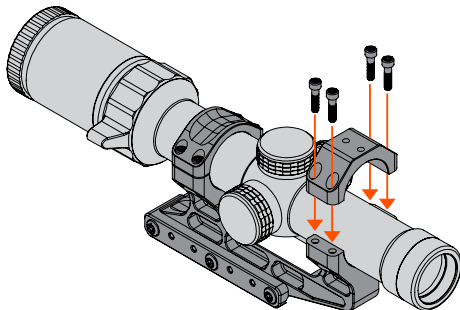
Remove existing Rings Screws on your FAST™ LPVO mount.

2

Install MRDS Top Ring in place of the original Top Ring. Finger tighten all Ring Screws. Ensure Scope is in the proper position for shooter's eye relief.

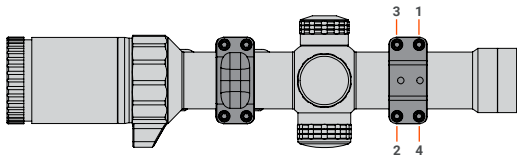
3

Level Scope reticle. Tighten Ring Screws in the order shown with a T15 bit driver. Lightly snug all screws before applying final torque to any. **Torque in the pattern below to 18 in-lbs (2 Nm). Complete this pattern two times.**



NOTE

The MRDS Top Ring can be mounted on either ring of the FAST™ LPVO. The Top Rings can be flipped for additional positioning options.



INFO@UNITYTACTICAL.COM

©2024 UNITY Tactical. All Rights Reserved.
Specifications subject to change without notice. PAT. UTIP.CO

