

# FAST™

PRO™ MOUNT



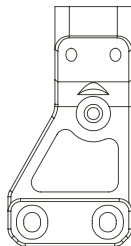
# CONTENTS



## PRODUCT OVERVIEW

The FAST™ PRO™ Mount positions the Aimpoint® Patrol Rifle Optic (PRO™) Red Dot Reflex Sight at a 2.26" optical centerline from the rail. It is also compatible with other optics with a 30mm tube diameter. It features a built-in, fully adjustable rear back-up iron sight that is compatible with a standard front sight for a traditional sight radius. It comes standard with a 2 cross bolt rail clamp.

One (1) FAST™ PRO™ Mount



One (1) Rail Clamp



One (1) Top Ring



Two (2) Clamp Screws



Two (2) Washers



Four (4) Ring Screws





**WARNING:** ENSURE FIREARM IS UNLOADED

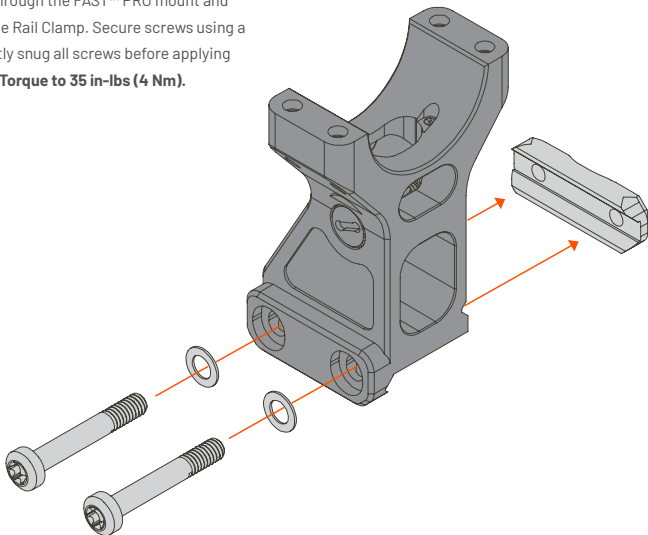


**CAUTION:**

OVER-TORQUING FASTENERS CAN DAMAGE YOUR MOUNT AND WILL NOT BE COVERED BY WARRANTY. USING THREAD LOCKING COMPOUNDS, SUCH AS LOCTITE® OR OTHERS, IS NOT RECOMMENDED AND WILL VOID YOUR WARRANTY.

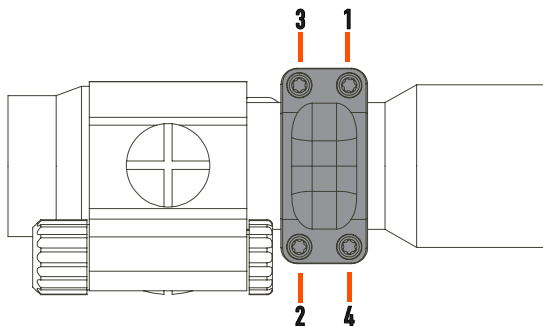
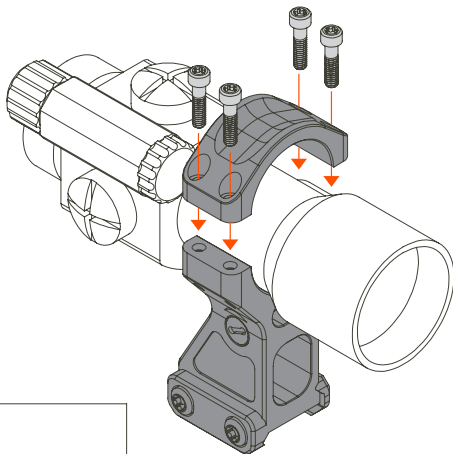
1

Place the FAST™ PRO mount on the M1913 Rail in desired location. Insert each Clamp Screw through a Washer. Then insert them through the FAST™ PRO mount and thread them into the Rail Clamp. Secure screws using a T25 bit driver. Lightly snug all screws before applying final torque to any. **Torque to 35 in-lbs (4 Nm).**



2

Install Optic into the FAST™ PRO™ Mount. Install Top Ring and finger tighten all Ring Screws. Tighten Ring Screws in the order shown with a T15 bit driver. Lightly snug all screws while keeping an equal gap between the ring and mount body before applying final torque to any. **Torque in the pattern below to 18 in-lbs (2 Nm). Complete this pattern two times.**



[INFO@UNITYTACTICAL.COM](mailto:INFO@UNITYTACTICAL.COM)

©2025 UNITY Tactical. All Rights Reserved.  
Specifications subject to change without notice. PAT: UTIP.CO

