

INSTALLATION INSTRUCTIONS

GASCAP™

LINK™ USB-C TAILCAP



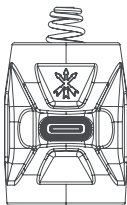
 **UNITY™**


LINK
SYSTEM


PRODUCT OVERVIEW

Featuring LINK™ System technology, the GASCAP™ USB-C Tailcap marks a paradigm shift for switching technology, bringing USB-C capabilities to weapon mounted lights and switches. Paired with a UNITY™ LINK™ System enabled remote switch, they provide near-zero-loss output and dependable, repeatable activation. The lateral and reversible interface provides a variety of mounting and cable management options, while its cage protects the cable and ensures a solid lockup. GASCAP™ features an onboard full-size latching button for momentary or constant activation of your device.

One (1) GASCAP™



One (1) GASCAP™ Cage Upper Clip



One (1) GASCAP™ Cage Lower Clip



One (1) GASCAP™ Dust Cover





WARNING: ENSURE FIREARM IS UNLOADED



CAUTION: OVER-TIGHTENING GASCAP™ ON HOST LIGHT BODY CAN DAMAGE YOUR MODULE AND WILL VOID YOUR WARRANTY.



NOTE

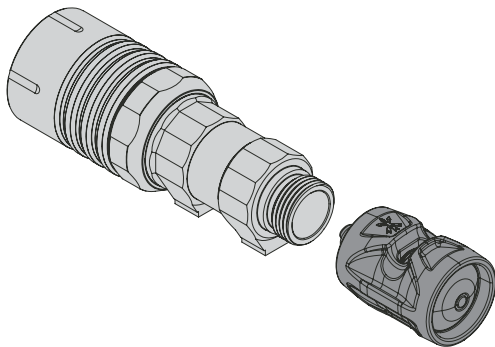
If not using a UNITY™ LINK™ enabled remote switch, proceed with installing the Dust Cover plug and Cage to protect the LINK™ USB-C port from dirt and debris. See steps 5 and 7 for cage instructions.



INTERFACE

SureFire® Scout®-style light bodies, including:

- SureFire® M3XX / M6XX Series
- Modlite 18350 / 18650
- Cloud Defensive REIN Legacy Bodies

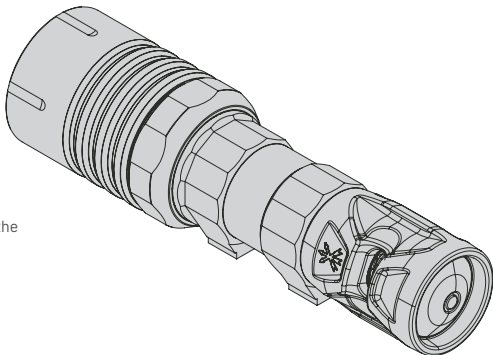


1

Remove OEM tailcap from light body. Ensure light body threads are clean and free of debris. Check that the light's o-ring is not damaged.

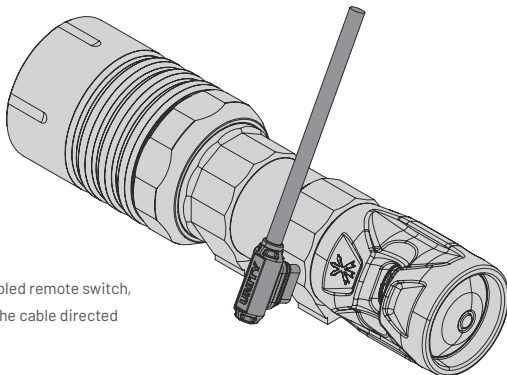
2

Lightly thread GASCAP™ onto light body. If resistance is met, stop and back unit off to check for proper alignment or thread blockage. **Do not cross-thread.**



3

Thread GASCAP™ until finger tight all the way onto the light body. Ensure host light body o-ring is fully covered. **Do not overtighten.**

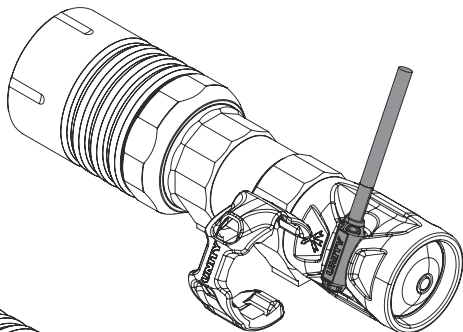


4

If using a UNITY™ LINK™ USB-C enabled remote switch, press fit the plug into the port with the cable directed in your desired orientation.

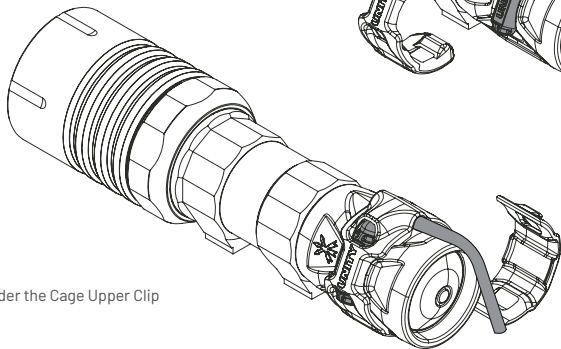
5

Fit the Cage Upper Clip around the tailcap. Position the LINK™ plug under the UNITY logo on the Cage Upper Clip. The LINK™ cable should be to the right side of the logo on the Cage Upper Clip.



6

Route the cable 90 degrees in desired direction (forward or backward) in the routing feature on the Cage Upper Clip.



7

Secure the Cage Lower Clip under the Cage Upper Clip until it snaps in place.



INFO@UNITYTACTICAL.COM

©2024 UNITY Tactical. All Rights Reserved.
Specifications subject to change without notice. PAT. UTIP.CO

