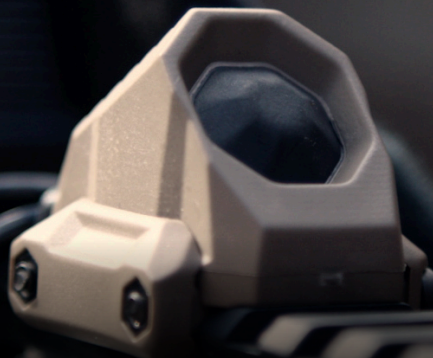




AXON™

SL



CONTENTS



PRODUCT OVERVIEW

AXON™ SL features a 45-degree angled button face for an ergonomically correct activation angle. Light models fire in both momentary and constant-on modes. Laser versions utilize a momentary only switch to facilitate use with the native double-click-for-constant-on feature found in most common lasers on the market. Dual-lead variants are SYNC, firing both light and laser simultaneously.

One (1) AXON™ SL Control Module (Single-Lead or Dual-Lead)



One (1) Rail Clamp A (Round Holes)



One (1) Rail Clamp B (Hex Holes)



Two (2) Cross Bolts



Two (2) Hex Nuts





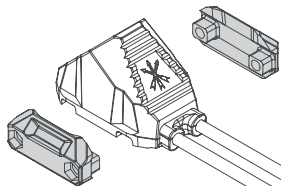
WARNING: ENSURE FIREARM IS UNLOADED



CAUTION: OVER-TORQUING FASTENERS CAN DAMAGE YOUR MOUNT WILL NOT BE COVERED BY WARRANTY.

1

Place the AXON™ SL Control Module on M1913 Rail in desired location.



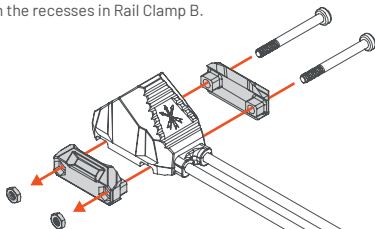
2

Align the Rail Clamps along the side of the AXON™ SL Control Module ensuring the logo on each Rail Clamp is upright. The Rail Clamps are interchangeable and can be placed on either side.



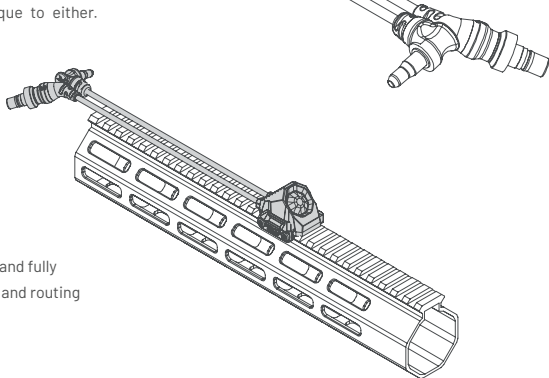
3

Fully seat the Hex Nuts in the recesses in Rail Clamp B.



4

Thread the Cross Bolts in the circular holes in Rail Clamp A via the pass-through and into the Hex Nuts in Rail Clamp B. Finger tight both before applying torque to either.
Torque to 5 in-lbs (0.57 Nm).



5

Route cable(s) from AXON™ SL to device(s) and fully seat plug(s) in socket(s). Avoid sharp bends and routing over extreme heat areas and sharp edges.



INFO@UNITYTACTICAL.COM

©2024 UNITY Tactical. All Rights Reserved.
Specifications subject to change without notice. PAT: UTIP.CO

