

AXON™

SL

M-LOK® MOUNTING KIT



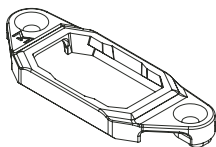
CONTENTS



PRODUCT OVERVIEW

The AXON™ SL M-LOK® Mounting Kit increases functionality of the AXON™ SL remote switch by expanding the mounting capabilities to the M-LOK® rail. It replaces the rail clamps with a frame that provides attachment to any M-LOK® rail surface.

One (1) AXON™ SL M-LOK® Mounting Kit Frame



Two (2) M-LOK® Screws



Two (2) M-LOK® Nuts





WARNING: ENSURE FIREARM IS UNLOADED



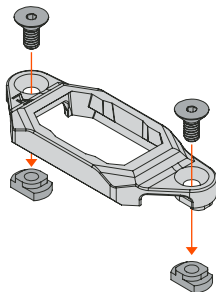
CAUTION: OVER-TORQUING FASTENERS CAN DAMAGE YOUR MOUNT AND WILL NOT BE COVERED BY WARRANTY.

1

Ensure the Rail Clamps on your AXON™ SL are uninstalled prior to installing the M-LOK® Mounting Kit. Set the Rail Clamps and associated screws aside for safe keeping.

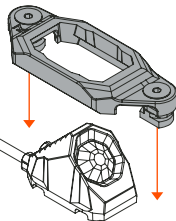
2

Insert the M-LOK® Screws through the AXON™ SL M-LOK® Mounting Kit Frame and thread partially into the M-LOK® nuts.



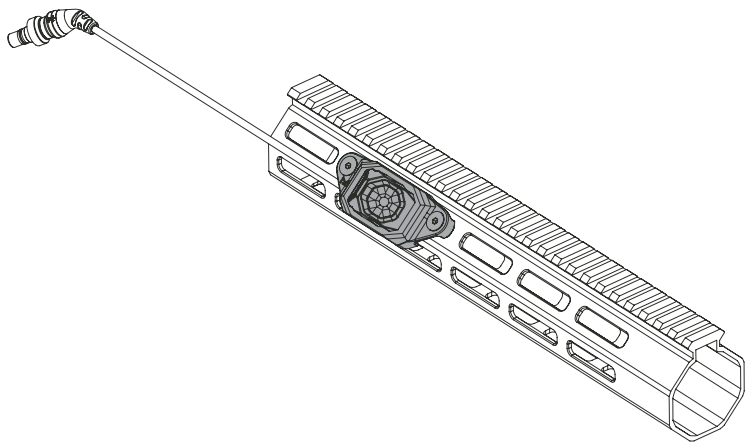
3

Guide the AXON™ SL Control Module through open slot of M-LOK® Mounting Kit until fully seated.



4

Place the AXON™ SL with M-LOK® Mounting Kit in desired location on the rail. Guide the M-LOK® Screws with the M-LOK® Nuts installed through the desired M-LOK® slot. Lightly snug both Screws before applying torque. **When torquing, do not exceed 10 in-lbs (1.13 Nm).** Ensure M-LOK® Nuts are fully perpendicular to M-LOK® slots in rail (fully seated).



INFO@UNITYTACTICAL.COM

©2024 UNITY Tactical. All Rights Reserved.
Specifications subject to change without notice. PAT: UTIP.CO

