

MODLITE
MODBUTTON
LITE
MBL™

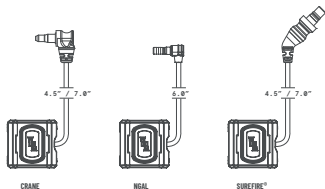


CONTENTS

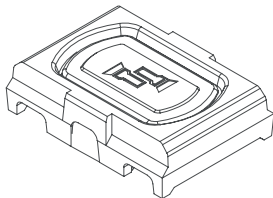


PRODUCT OVERVIEW

The Modlite ModButton™ Lite is a smaller, lighter cousin to the original ModButton™, and features the same momentary only activation. Single-lead option compatible with SureFire®, Crane Laser and NGAL devices. Dual-lead option supports SureFire® and Crane Laser devices.



One (1) ModButton™ Lite Control Module



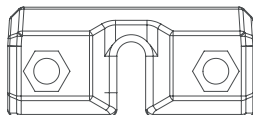
One (1) Rail Clamp A (Round Holes, Logo)



Two (2) Cross Bolts



One (1) Rail Clamp B (Hex Holes, Cable Notch)



Two (2) Hex Nuts





WARNING: ENSURE FIREARM IS UNLOADED



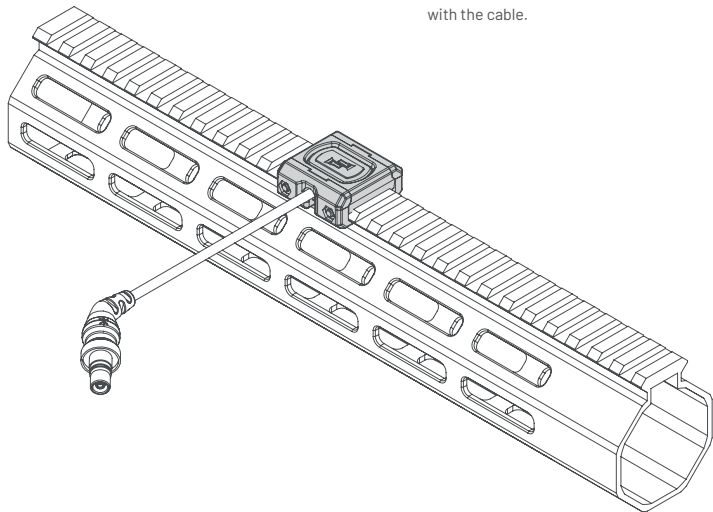
CAUTION: OVER-TORQUING FASTENERS CAN DAMAGE YOUR MOUNT AND WILL NOT BE COVERED BY WARRANTY.

1

Place the ModButton™ Lite Control Module on the M1913 Rail in desired location.

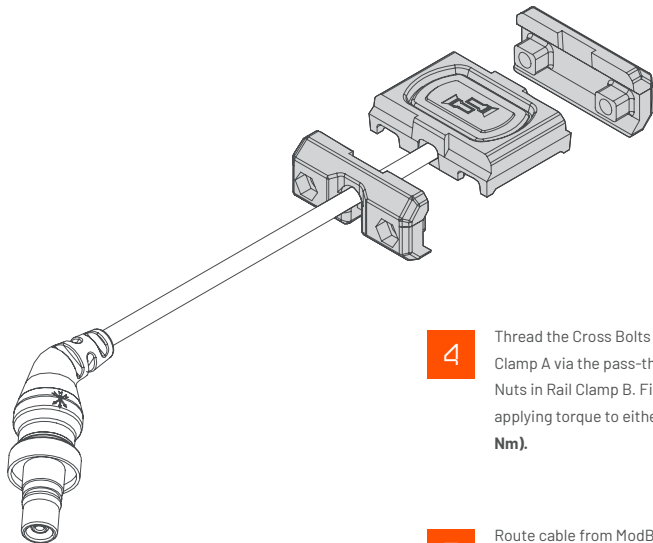
2

Align the Rail Clamps along the side of the ModButton™ Lite Control Module. Ensure the logo on Rail Clamp A is upright. Align Rail Clamp B on the side of the ModButton™ Lite Control Module with the cable.



3

Fully seat the Hex Nuts in the recesses in Rail Clamp B.



4

Thread the Cross Bolts in the circular holes in Rail Clamp A via the pass-through and into the Hex Nuts in Rail Clamp B. Finger tighten both before applying torque to either. **Torque to 5 in-lbs (0.57 Nm).**

5

Route cable from ModButton™ Lite to device and fully seat plug in socket. Avoid sharp bends and routing over extreme heat areas and sharp edges.



INFO@UNITYTACTICAL.COM

©2024 UNITY Tactical. All Rights Reserved.
Specifications subject to change without notice. PAT: UTIP.CO

