

RAXIS™

IN-LINE MOUNT FOR BEM® MAWL®



UNITY

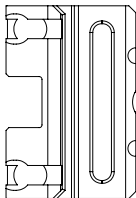
CONTENTS

PRODUCT OVERVIEW

RAXIS™ rotates the axis of the traditional off-center position of the B.E. Meyers® MAWL®, bringing the laser up onto the M1913 rail and within the profile of the weapon's receiver. While this mount is useful in other applications, it was designed specifically for MAWL® users with a need to stow their weapon in tight spaces, such as between the seat and center console of a police car or in a rotary wing asset.

RAIL CLAMP

One (1) RAXIS™



One (1) Rail Clamp



Two (2) Washers

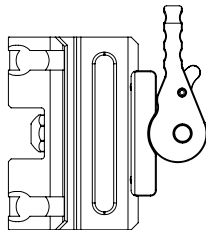


Two (2) Clamp Screws



FAST™ QD LEVER

One (1) RAXIS™ (fully assembled)





WARNING: ENSURE FIREARM IS UNLOADED



CAUTION:

OVER-TORQUING FASTENERS CAN DAMAGE YOUR MOUNT AND/OR YOUR OPTIC AND WILL VOID YOUR WARRANTY. USING THREAD LOCKING COMPOUNDS, SUCH AS LOCTITE® OR OTHERS, IS NOT RECOMMENDED AND WILL VOID YOUR WARRANTY.

ATTACHING RAXIS™ TO THE M1913 RAIL (RAIL CLAMP ONLY)

NOTE

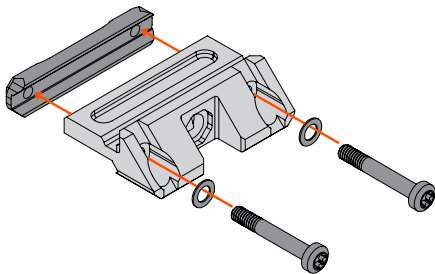
If you purchased RAXIS™ with a Rail Clamp (non-QD), you must install the mount on your rifle before you attach the laser. The laser prohibits access to the Clamp Screws on the Rail Clamp. If you purchased RAXIS™ with the FAST™ QD Lever, proceed to the next section.

1

Place the RAXIS™ mount on the M1913 Rail in desired location.

2

Insert each Clamp Screw through a Washer. Then insert them through the RAXIS™ mount and thread them into the Rail Clamp. Secure screws using a T25 bit driver. Lightly snug all screws before applying final torque to any. **Torque to 35 in-lbs (4 Nm).**

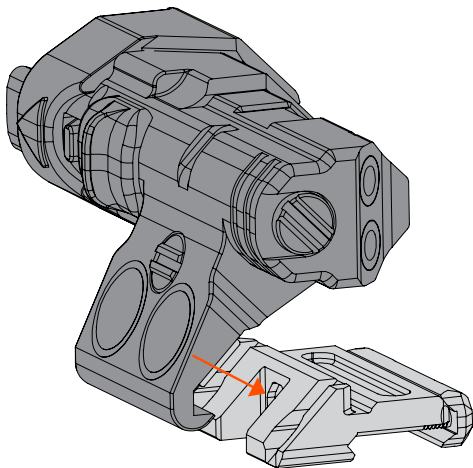


ATTACHING THE B.E. MEYERS® MAWL® TO RAXIS™

1 Loosen the mounting screw on the MAWL®.

2 Attach the MAWL® to the angled mounting
surface of the RAXIS™ mount.

3 Tighten the mounting screw on the MAWL®
to the manufacturer's recommendations.



INFO@UNITYTACTICAL.COM

©2024 UNITY Tactical. All Rights Reserved.
Specifications subject to change without notice. PAT. UTIP.CO

