

SUMMIT™

THREE-HOLE SHROUD



CONTENTS



PRODUCT OVERVIEW

With an over-molded unibody construction, SUMMIT™ provides a superior strength-to-weight ratio and secures night vision electro-optics, lights, cameras and other accessories with a proven fit that is sturdy and reliable.

One (1) SUMMIT™ Shroud

One (1) T8 Torx Wrench

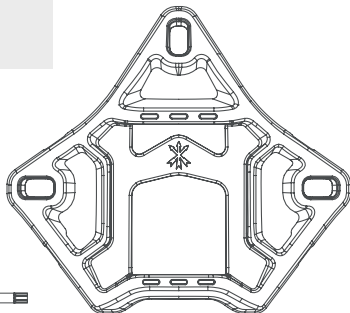
Three (3) 4-40 x 5/16" Cap Screws

Three (3) 4-40 x 1/2" Cap Screws

Three (3) 4-40 x 5/8" Cap Screws

Three (3) T-Nuts

Three (3) #4 Washers





CAUTION: WHEN REMOVING YOUR EXISTING HELMET SHROUD, FOLLOW ANY SHROUD SUBSYSTEM REPLACEMENT INSTRUCTIONS FROM YOUR HELMET MANUFACTURER.

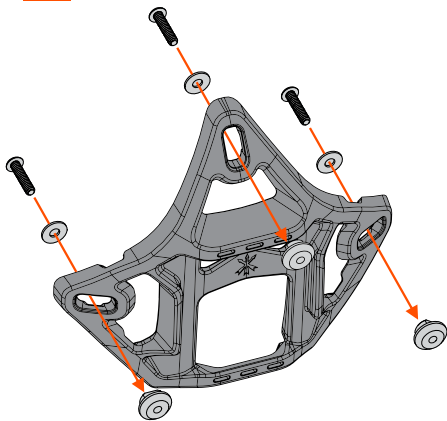
1 Remove suspension system pads as needed from the interior of the helmet to gain access to the three shroud mounting screws.

2 From the helmet interior, remove each of the three button head cap screws using the hex driver recommended by your helmet manufacturer. Retain each T-nut as it comes loose from the shroud slot. Set the old shroud and all manufacturer provided hardware aside for safekeeping.

3 Position the SUMMIT™ shroud so that each of the three hole openings is visible through the slots in the shroud mount. Place a washer on each cap screw and push through the shell holes from inside the helmet. Test each of the three provided Cap Screw lengths to ensure you've selected the appropriate size.

4 Place the provided T-nuts into each slot in the shroud mount. Partially thread each of the three screws to ensure alignment, then firmly tighten each screw.

5 Reinstall the suspension system padding.



INFO@UNITYTACTICAL.COM

©2024 UNITY Tactical. All Rights Reserved.
Specifications subject to change without notice. PAT. UTIP.CO

