

# FAST™

FTC 30MM



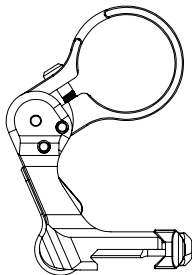
# CONTENTS



## PRODUCT OVERVIEW

The FAST™ FTC 30mm magnifier mount positions magnifiers with a 30mm body to a 2.26" optical centerline from the rail and employs a simple force-to-overcome mechanism, stowing the magnifier below the optical sight plane and completely within the footprint of the weapon's receiver when not in use.

One (1) FAST™ FTC 30mm





**WARNING: ENSURE FIREARM IS UNLOADED**



**CAUTION:**

OVER-TORQUING FASTENERS CAN DAMAGE YOUR MOUNT AND/OR YOUR OPTIC AND WILL VOID YOUR WARRANTY. USING THREAD LOCKING COMPOUNDS, SUCH AS LOCTITE® OR OTHERS, IS NOT RECOMMENDED AND WILL VOID YOUR WARRANTY.



**NOTE**

The FAST™ FTC 30mm can be mounted in either direction on the rail, allowing left- or right-handed FTC motion and quick detach.



**NOTE**

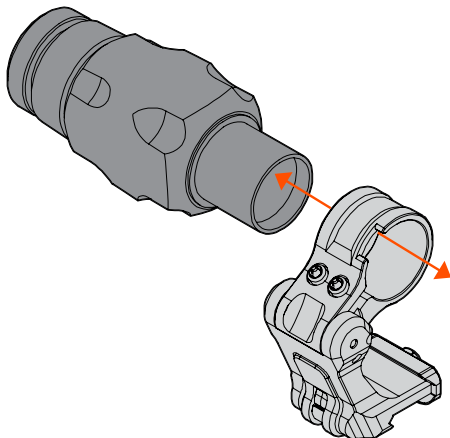
Do not adjust the Pivot Bolt or disassemble the mount. Doing so will void the warranty.

**1**

Loosen the two screws in the FAST™ FTC 30mm mount enough to slide the magnifier tube into the ring. Ensure the objective face of the magnifier clears the front wall of the mount when rotated down. Ensure the magnifier is properly oriented in the ring when in the active (up) position.

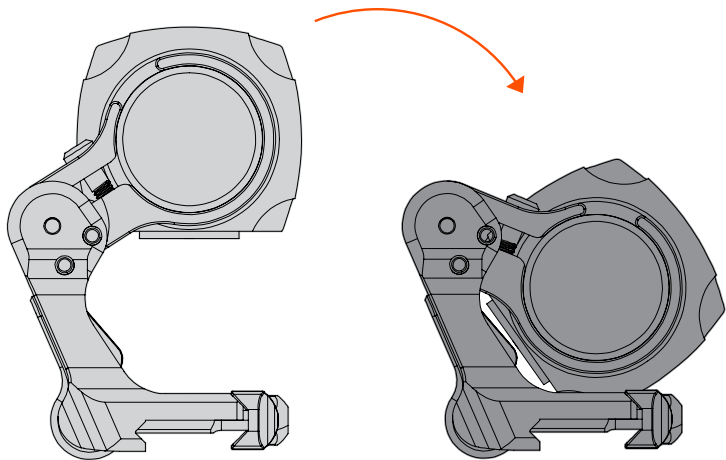
**2**

Secure the screws using a T25 bit driver. Lightly snug all screws before applying final torque to any.  
**Torque to 35 in-lbs (4 Nm).**



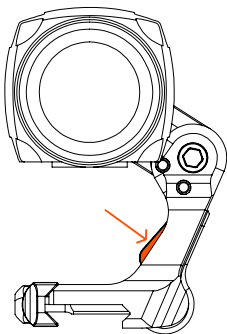
3

The FAST™ FTC 30mm mount uses a force-to-overcome mechanism. Grasp the magnifier body and pivot assembly down to the stowed position. Repeat in reverse to bring the magnifier back into the active position.



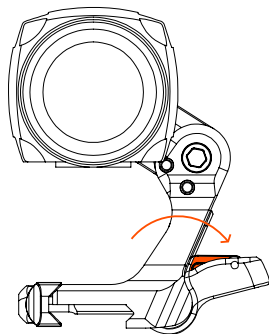
4

Bring the magnifier into the up position. From the inside of the base, depress the safety on the interior of the integrated FAST™ QD Lever. Push outward and the QD Lever will open fully. The QD Lever may need to be held flush with the mount base while depressing the safety.



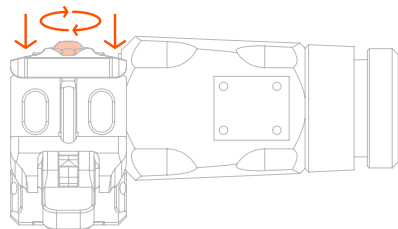
## CAUTION:

**DO NOT PUSH THE QD LEVER IF THERE IS RESISTANCE. ENSURE THE SAFETY LATCH IS DEPRESSED FULLY OR THE LEVER WILL NOT OPEN. THE QD LEVER MUST BE FULLY CLOSED/FLUSH WITH THE MOUNT BASE BEFORE THE SAFETY CAN BE DEPRESSED.**



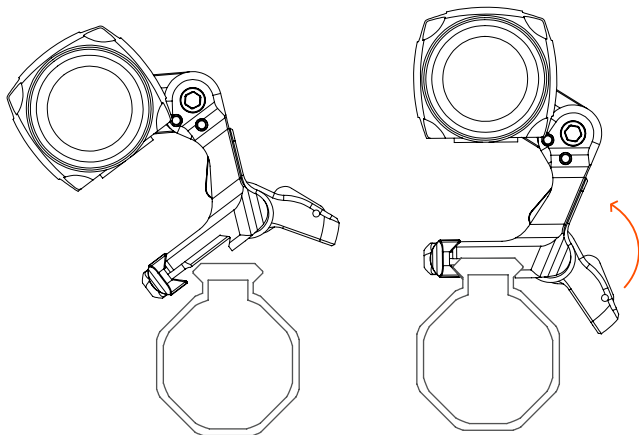
5

To adjust the correct tension of the base onto the M1913 rail, the QD Lever must be in the absolute down/open position. Squeeze the spring tensioned base and rotate the nut clockwise to tension or counter clockwise to loosen.



6

Place the magnifier in the desired location on your M1913 Rail. Ensure you seat the side of the base without the QD Lever first. Pull the QD Lever up into the closed position until you feel it snap.



[INFO@UNITYTACTICAL.COM](mailto:INFO@UNITYTACTICAL.COM)

©2025 UNITY Tactical. All Rights Reserved.  
Specifications subject to change without notice. PAT. UTIP.CO

