

# REKÉ™

## SCOPE MOUNT



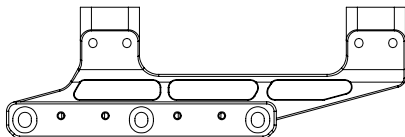
# CONTENTS



## PRODUCT OVERVIEW

REKE™ is built for intermediate-long range rifle optics and precision weapon systems. Available in 30, 34, and 35mm ring sizes, it places scopes at a 1.54" optical centerline from the rail. REKE™ features a modular design that allows for capability expansion in the form of diving boards for laser range finders, 12 o'clock MRDS mounts, and 35 degree offset MRDS / accessory mounts.

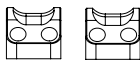
One (1) REKE™ Scope Mount



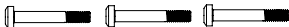
One (1) Rail Clamp



Two (2) Top Rings



Three (3) Clamp Screws



Three (3) Washers



Eight (8) Ring Screws





**WARNING:** ENSURE FIREARM IS UNLOADED

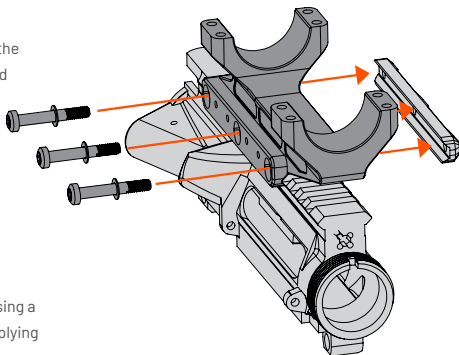


**CAUTION:**

OVER-TORQUING FASTENERS CAN DAMAGE YOUR MOUNT AND WILL NOT BE COVERED BY WARRANTY. USING THREAD LOCKING COMPOUNDS, SUCH AS LOCTITE® OR OTHERS, IS NOT RECOMMENDED AND WILL VOID YOUR WARRANTY.

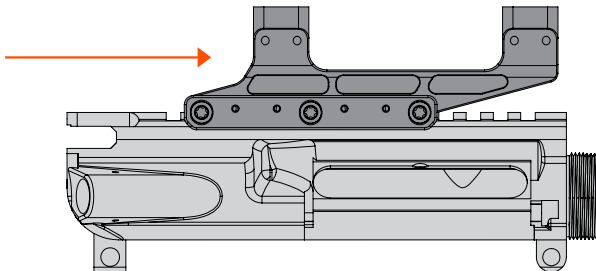
1

Loosen pre-installed Clamp Screws and install the REKE™ scope mount on the M1913 Rail in desired location. Finger tighten Clamp Screws.



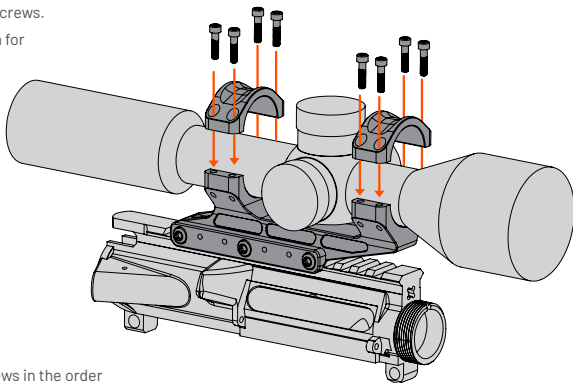
2

Push mount forward against recoil lug. Tighten Clamp Screws in order - Front, Rear, Middle - using a T25 bit driver. Lightly snug all screws before applying final torque to any. **Torque to 35 in-lbs (4 Nm).**



3

Install Optic into the REKE™ scope mount. Install Top Rings and finger tighten all Ring Screws. Ensure Scope is in the proper position for shooter's eye relief.

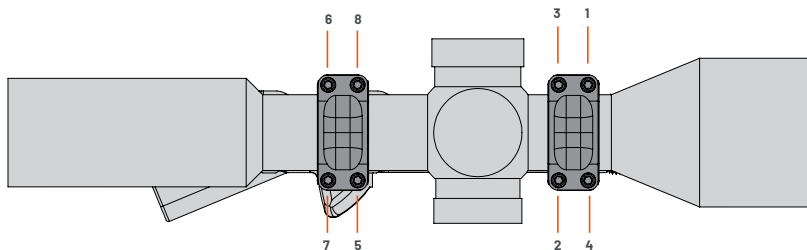


4

Level Scope reticle. Tighten Ring Screws in the order shown with a T15 bit driver. Lightly snug all screws while keeping an equal gap between the ring and mount body before applying final torque to any.

**Torque in the pattern below to 18 in-lbs (2 Nm).**

**Complete this pattern two times.**

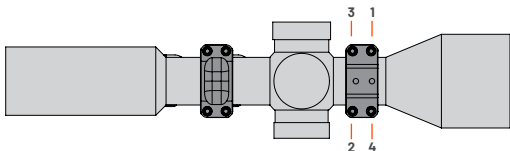
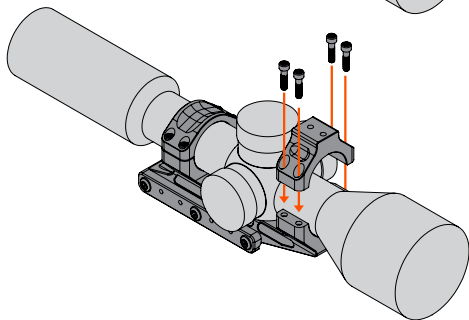
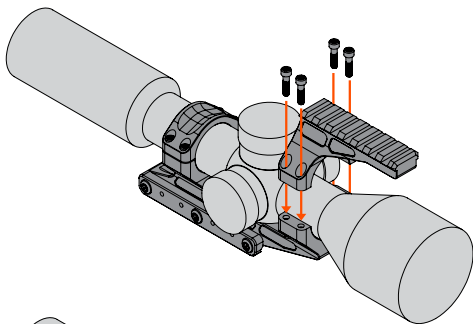


## ATTACHING YOUR DIVING BOARD OR MRDS TOP RING TO REKE™

1 Remove existing Rings Screws on your REKE™ scope mount.

2 Install your Diving Board or MRDS Top Ring in place of the original Top Ring. Finger tighten all Ring Screws. Ensure Scope is in the proper position for shooter's eye relief.

3 Level Scope reticle. Tighten Ring Screws in the order shown with a T15 bit driver. Lightly snug all screws before applying final torque to any. **Torque in the pattern below to 18 in-lbs (2 Nm). Complete this pattern two times.**



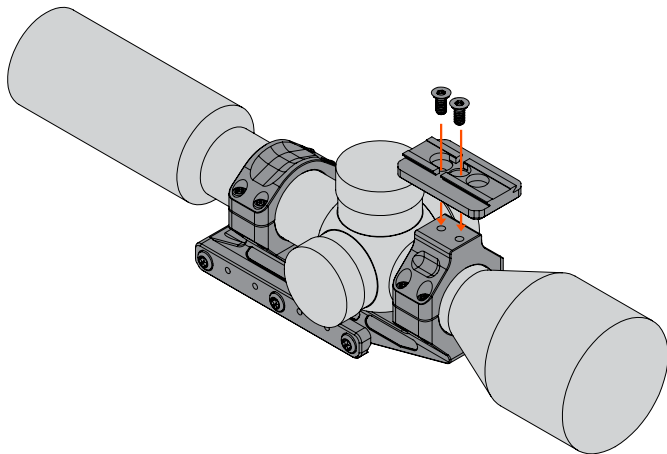
### NOTE

The MRDS Top Ring can be mounted on either ring of the REKE™. The Top Rings can be flipped for additional positioning options.

## ATTACHING YOUR FAST™ OPTIC ADAPTER PLATE TO YOUR MRDS TOP RING FOR REKE™

1

Hand-fit the FAST™ Optic Adapter Plate on the MRDS Top Ring for REKE™ and install using the included hardware. Finger tighten and then give each screw a 1/8 - 1/4 turn. **Torque to 18 in-lbs (2 Nm).**



[INFO@UNITYTACTICAL.COM](mailto:INFO@UNITYTACTICAL.COM)

©2025 UNITY Tactical. All Rights Reserved.  
Specifications subject to change without notice. PAT. UTIP.CO

