

FAST™

COMP SERIES



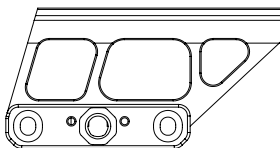
CONTENTS



PRODUCT OVERVIEW

Developed as a solution for the DOD's standard issue M68 CCO, the FAST™ Comp Series is a drop-in replacement for all full-size Aimpoint® Comp series and PRO optics. It comes standard with a two cross bolt rail clamp or can be retrofitted with the FAST™ QD Lever and works with all FAST™ FTC magnifier mounts.

One (1) FAST™ Comp Series



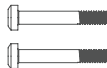
Two (2) Optic Mounting Screws



Two (2) Washers



Two (2) Clamp Screws



One (1) Rail Clamp





WARNING: ENSURE FIREARM IS UNLOADED



CAUTION:

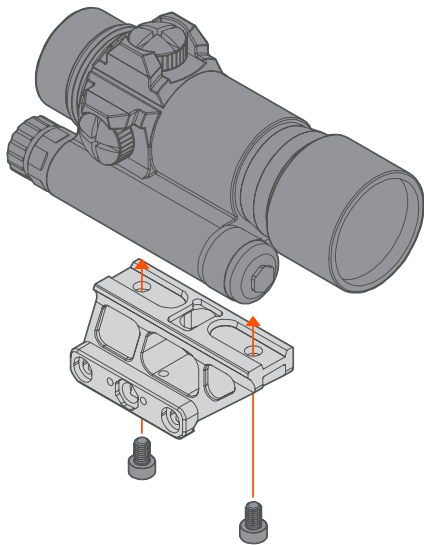
OVER-TORQUING FASTENERS CAN DAMAGE YOUR MOUNT AND/OR YOUR OPTIC AND WILL VOID YOUR WARRANTY. USING THREAD LOCKING COMPOUNDS, SUCH AS LOCTITE® OR OTHERS, IS NOT RECOMMENDED AND WILL VOID YOUR WARRANTY.

1

Using the UNITY™ supplied Optic Mounting Screws, install the optic to the mount using a T25 bit driver. Lightly snug both screws before applying final torque to any. **Do not exceed manufacturer's recommended torque spec.**

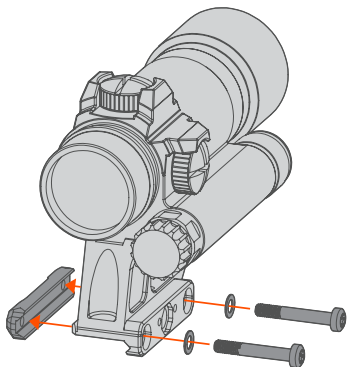
2

Place the FAST™ Comp Series mount on the M1913 Rail in desired location. If using the included Rail Clamp, move to step 3. If using the optional FAST™ QD Lever (sold separately), jump to step 4.



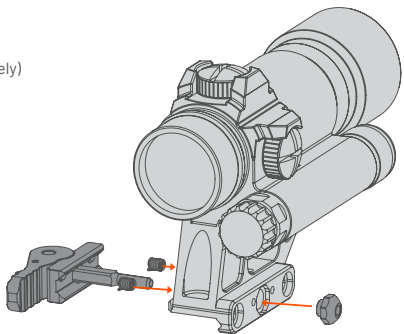
3

Insert each Clamp Screw through a Washer. Then insert them through the FAST™ Comp Series mount and thread them into the Rail Clamp. Secure screws using a T25 bit driver. Lightly snug all screws before applying final torque to any. **Torque to 35 in-lbs (4 Nm).**



4

Optional FAST™ QD (Quick Detach) Lever (sold separately) can be installed in place of the Rail Clamp. Installation instructions are included with the lever.



INFO@UNITYTACTICAL.COM

©2024 UNITY Tactical. All Rights Reserved.
Specifications subject to change without notice. PAT. UTIP.CO

