

FAST™

MICROPRISM



 **UNITY**

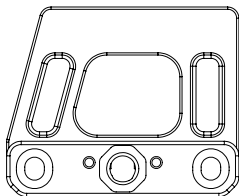
CONTENTS



PRODUCT OVERVIEW

The FAST™ MicroPrism positions Primary Arms® MicroPrism™ optics at a 2.26" optical centerline from the rail. It is also compatible with other optics of industry standard mini-prism footprint (heights may vary depending on the optic). It comes standard with a 2 cross bolt rail clamp but is compatible with the FAST™ QD Lever.

One (1) FAST™ MicroPrism



One (1) Optic Mounting Screw



Two (2) Washers



One (1) Rail Clamp



Two (2) Clamp Screws





WARNING: ENSURE FIREARM IS UNLOADED



CAUTION:

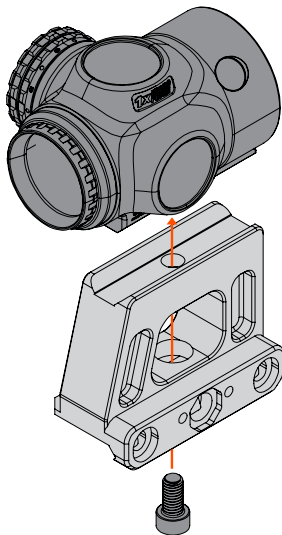
OVER-TORQUING FASTENERS CAN DAMAGE YOUR MOUNT AND/OR YOUR OPTIC AND WILL VOID YOUR WARRANTY. USING THREAD LOCKING COMPOUNDS, SUCH AS LOCTITE® OR OTHERS, IS NOT RECOMMENDED AND WILL VOID YOUR WARRANTY.

1

Insert the UNITY™ supplied Optic Mounting Screw through the mount from its center and up into the optic as shown. **Do not exceed the Optic manufacturer's recommended torque spec.**

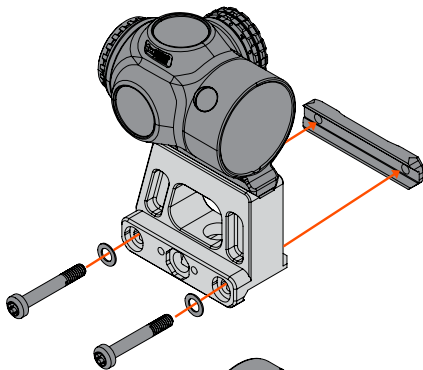
2

Place the FAST™ MicroPrism mount on the M1913 Rail in desired location. If using the included Rail Clamp, move to step 3. If using the optional FAST™ QD Lever (sold separately), jump to step 4.



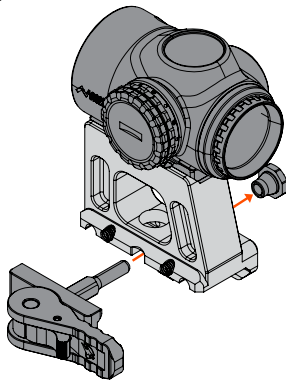
3

Insert each Clamp Screw through a Washer. Then insert them through the FAST™ MicroPrism mount and thread them into the Rail Clamp. Secure screws using a T25 bit driver. Lightly snug all screws before applying final torque to any. **Torque to 35 in-lbs (4 Nm).**



4

Optional FAST™ QD (Quick Detach) Lever (sold separately) can be installed in place of the Rail Clamp. Installation instructions are included with the lever.



INFO@UNITYTACTICAL.COM

©2024 UNITY Tactical. All Rights Reserved.
Specifications subject to change without notice. PAT. UTIP.CO

