

FAST™

MRDS



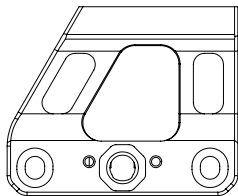
CONTENTS



PRODUCT OVERVIEW

The FAST™ MRDS mount, in conjunction with the Optic Adapter Plates in the FAST™ Modular Accessory Suite, brings compatible micro red dot sights to the established FAST™ height of 2.26" to optical centerline. This includes micro red dot sights with any of the following footprints: RMR®, DeltaPoint® Pro, ACRO®, 509T, RMsC and Holosun™ K. With exception to the Leupold® DeltaPoint® Pro, it is also compatible for use with the line of FAST™ FTC magnifier mounts.

One (1) FAST™ MRDS



Two (2) Clamp Screws





WARNING: ENSURE FIREARM IS UNLOADED



CAUTION:

OVER-TORQUING FASTENERS CAN DAMAGE YOUR MOUNT AND/OR YOUR OPTIC AND WILL VOID YOUR WARRANTY. USING THREAD LOCKING COMPOUNDS, SUCH AS LOCTITE® OR OTHERS, IS NOT RECOMMENDED AND WILL VOID YOUR WARRANTY.

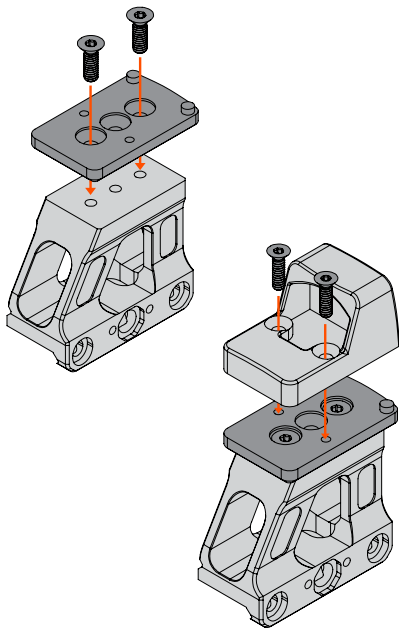
1

Install the FAST™ Optic Adapter Plate to the FAST™ MRDS mount with included hardware as shown.

Torque to 18 in-lbs (2 Nm).

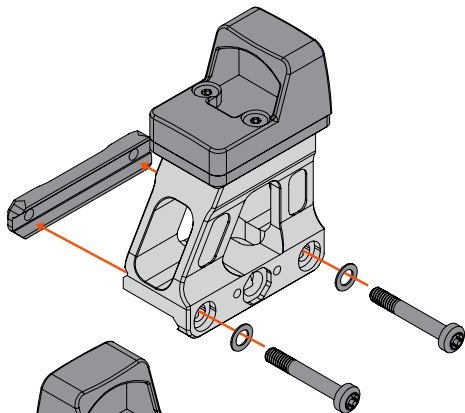
2

Install the Optic with included hardware if using the FAST™ Optic Adapter Plate for an RMR® footprint, or the manufacturer's hardware if using other FAST™ Optic Adapter Plates. **Do not exceed the Optic manufacturer's recommended torque spec.**



3

Place the FAST™ MRDS mount on the M1913 Rail in desired location. If using the included Rail Clamp, move to step 4. If using the optional FAST™ QD Lever (sold separately), jump to step 5.

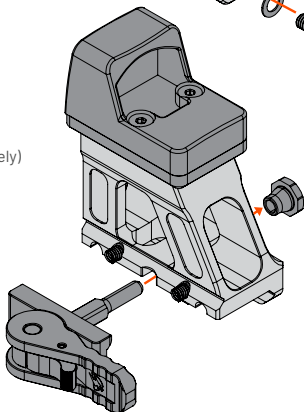


4

Insert each Clamp Screw through a Washer. Then insert them through the Rail Clamp and thread them into the FAST™ MRDS mount. Secure screws using a T25 bit driver. Lightly snug all screws before applying final torque to any. **Torque to 35 in-lbs (4 Nm).**

5

Optional FAST™ QD (Quick Detach) Lever (sold separately) can be installed in place of the Rail Clamp. Installation instructions are included with the lever.



INFO@UNITYTACTICAL.COM

©2024 UNITY Tactical. All Rights Reserved.
Specifications subject to change without notice. PAT. UTIP.CO

